

THE MOST INDUSTRY FIRSTS.

THE MOST INDUSTRY FAVORITES.

The Guzzler® ACE® was designed by contractors, incorporating the world's leading vacuum loader technologies. Every system and component has been engineered for maximum productivity. The ACE can handle the full spectrum of wet and dry material, from remote or inaccessible locations. Day in and day out, no other design delivers the productivity you get with an ACE.



Choosing an ACE is different than other makes; you're not stuck with one configuration. You start with a high-performance ACE vacuum loader, and then add just about any offloading system, filtration or specialized component you'd like. The result is an ACE, built for your applications.



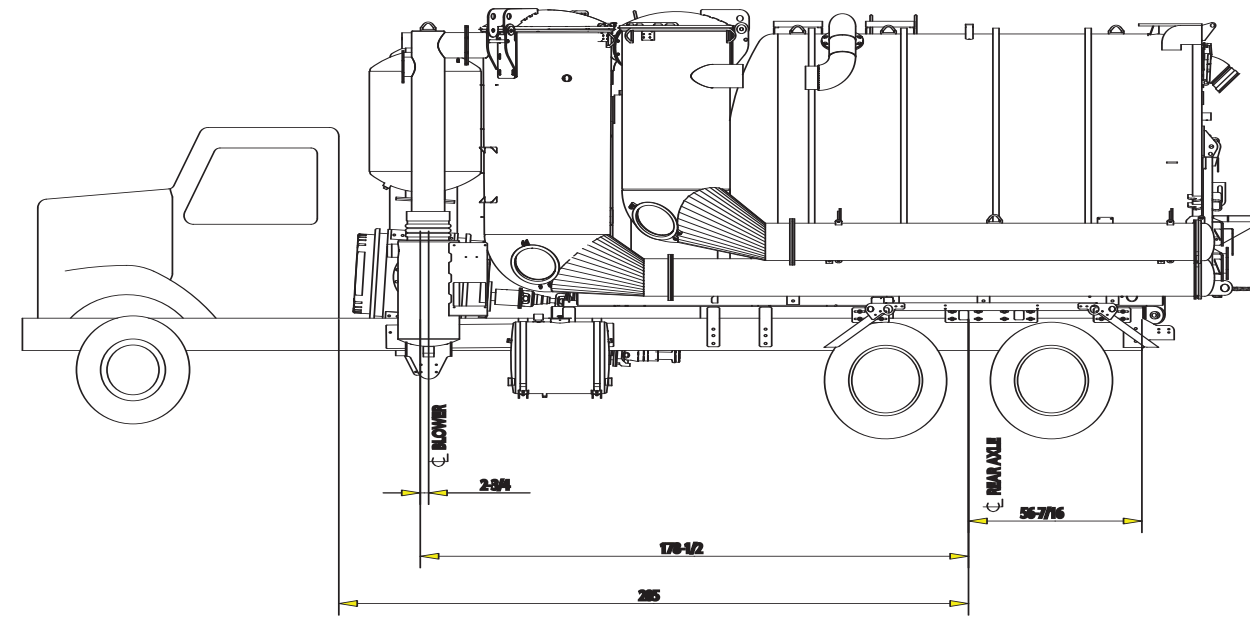
What's more, the ACE modular design:

- Reduces your maintenance costs and downtime – our bolt-on filtration components are easier to maintain, replace and refurbish.
- Is easier for your crew to operate – basic controls are the same on every model.
- Simplifies your inventory and service – common parts are used across your entire fleet.



Guzzler ACE Industrial Vacuum Loader

## Specifications and Options



### Standard Specifications

- Blower: Positive Displacement Dual-Lobe or Tri-Lobe Available
- Maximum Vacuum: up to 28 in Hg (0.9 kg/cm<sup>2</sup>)
- Maximum Airflow: 5,184 cfm (8,813 m<sup>3</sup>/h)
- Max Airflow @ Max Vacuum: 2,250 cfm (3,823 m<sup>3</sup>/h)
- Drive: OMSI transfer case with shift protection
- Controls: Enclosed, lighted panel features blower tachometer/hourmeter, blower temperature gauge, air pressure gauge, hydraulic pressure gauge, blower vacuum gauge, electronic throttle.
- Hydraulics: Variable volume hydraulic pump driven by chassis engine via PTO. Hydraulic system plumbing assembled using JIC fittings and hydraulic tubing. 50 gallon (189 l) aluminum hydraulic tank.
- Payload Capacity: 18 yd<sup>3</sup> (15.05 m<sup>3</sup>)
- Collector Body: 1/4 in (6.35 mm) thick construction, rear bulkhead is 3/8 in (9.5 mm) thick plate with lower edge reinforcement. Rear door is 1/2 in (12.7 mm) thick plate supported by three heavy-duty hinges. 50° dump angle with 15 in (381 mm) rear overhang.
- Heavy-Duty Subframe
- Back-Up Alarm
- Roadside Emergency Kit and Fire Extinguisher
- Filtration – All Modular Construction
  - First Stage: Radial Diversion Wing
  - Second Stage: Dual Cyclone Centrifugal Filters
  - Third Stage: Dual Baghouse Chambers with a total of sixty-eight 60 in (1,524 mm) filter bags
  - Fourth Stage: Microstrainer Final Filter
- Silencers: High-performance, ultra-quiet CB 12 inlet and discharge silencers. Silencers are equipped with 3 in (76 mm) drain for lower chamber inspection.
- Bag Cleaning: Baghouse is equipped with a 12.5' ft (0.35 m<sup>3</sup>), 115 psi (7.9 bar) air cannon pulsation system.

### Popular Options

- 21 yd<sup>3</sup> (16.1 m<sup>3</sup>) debris body
  - Roots 28.5 in Hg (0.98 kg/cm<sup>2</sup>) tri-lobe blower
  - Roots 18 in Hg (0.62 kg/cm<sup>2</sup>) dual-lobe blower
  - Washdown system
  - High rail system
  - Hydraulic loading boom
  - Full opening rear door
  - Work lights
- Additional options available. Consult your Guzzler representative for more information.*

### Warranty

The Guzzler is warranted against defects in materials or workmanship for a period of 12 months from the date of delivery to the original purchaser; optional extended warranty packages are available. Consult your Guzzler representative for complete warranty information.

### Your Guzzler representative is:



Some items shown may be optional.

Specifications subject to change without notice.

Guzzler® and ACE® are registered trademarks of Guzzler Manufacturing.

Effective 1/06 P/N 00003A Printed in U.S.A.

Produced at Guzzler Manufacturing, Inc., whose quality management system is certified to ISO 9001:2000.

©2006 Federal Signal Corporation, listed on the NYSE by the symbol FSS.

**GUZZLER**  
Subsidiary of Federal Signal Corporation



**GUZZLER**  
Subsidiary of Federal Signal Corporation

1621 South Illinois Street, Streator, Illinois, U.S.A. 61364  
(815) 672-3171 Phone • (815) 672-2779 Fax  
www.guzzler.com





**PROVEN PERFORMANCE IN:**

- Steel mills • Railroads • Oil refineries • Chemical plants
- Cement plants • Foundries • Shipyards and docks
- Power generating stations • Metal mining • Phosphate plants
- Bridge painting • Grain elevators • Aluminum plants
- Glass manufacturing • Waste-to-energy plants
- Pulp and paper mills • Material processing plants
- Lime and coal plants • Water and sewage treatment plants

**Guzzler ACE Vacuum Loaders**

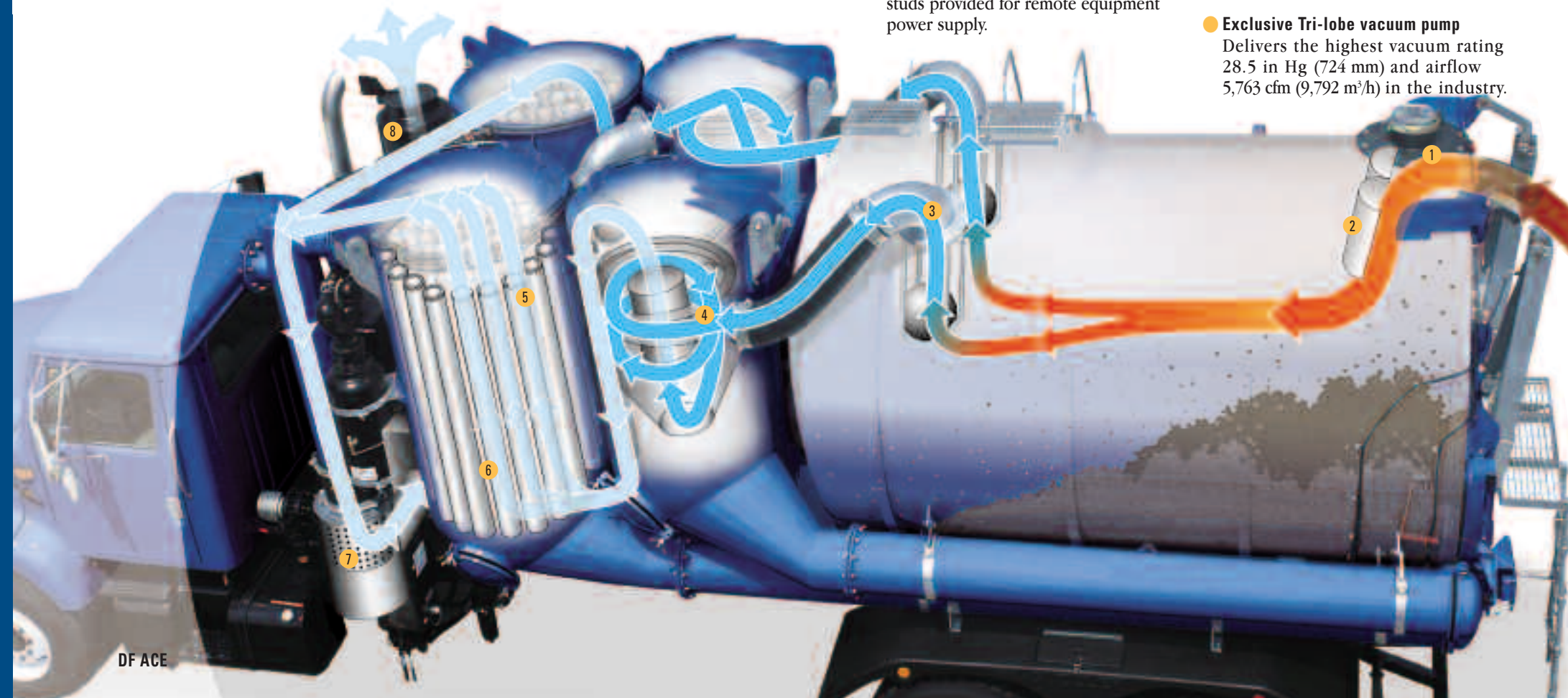
**Advanced Guzzler ACE Filtration Process**

Balances superior blower protection with high vacuum performance. Lowest pressure drop in the industry. True power where it counts, at the working end of the hose.

- 1 Material enters through the 8 in (203 mm) porthole or optional boom.
- 2 Primary pre-filter (JR Wing) knocks the bulk of material out of the air stream, in the main payload compartment.
- 3 Air splits and flows into two cyclone pre-filter chambers.
- 4 Centrifugal force hurls denser particles toward the cyclone walls, where they spiral down into collection hoppers.
- 5 Particulate-free air flows through twin standpipes into two baghouses, each with thirty-four 60 in (1,524 mm) filter bags. Compressed air bursts from the air cannon dislodge dust into baghouse hoppers.
- 6 Cyclone and baghouse hoppers empty simultaneously through dump tubes when tank is raised for dumping.
- 7 Clean air flows into the microstrainer housing, which is a safety dropout for objects that may accidentally enter the filtration system during servicing.
- 8 Clean air passes through the vacuum pump and out the silencer.

**Superior Design from the World Leader in Vacuum Solutions**

- **Modular design, cylindrical cross sections**
  - Greater structural integrity; resists flexing due to high vacuum pressures.
  - No shared filter compartment walls (common on other brands), which prematurely wear from material exposure on both sides.
  - Faster, more complete material discharge during dumping.
- **Easy cleaning and decontamination**
  - All filter components are 100% accessible. No material bridge-points in baghouse and cyclone hoppers, as in other brands.
- **Quick and easy refurbishing**
  - All filter components can be individually unbolted and replaced, unlike unibody designs with high-wear cyclone components.
- **Isolated strainer and silencers**
  - Independently mounted to prevent vacuum pump case distortion.
- **Universal gaskets**
  - All doors (except rear door) use same universal D-ring hollow core material. No custom-poured arc gaskets; are cut to fit, and field replaceable. Fewest gasketed surfaces of any vacuum loader on the market.
- **Top access**
  - Baghouse and cyclone top inspection doors are easily accessed via heavy-duty ladder and platform. No disconnecting of the pulsation hoses required.
- **Direct drive transfer case**
  - Factory-installed at International or Sterling, directly couples vacuum pump to chassis engine. Mounted on vibration isolators to accommodate truck frame movement. Vulcan coupler or pulsation dampener not required, as on other brands.
- **Severe-duty chassis**
  - Designed specifically for the Guzzler ACE. Factory-installed transfer case ensures exact alignment of all drive components. Factory-installed, dash-mounted PTO controls for greater reliability and ease of use. Jump-start studs provided for remote equipment power supply.
- **Advanced rear door design**
  - ½ in (12.7 mm) steel-plate construction prevents deflection and warping. Tapered, locking, over-center chocks and three top-mounting brackets ensure a positive, leak-proof seal. Central hydraulic manifold provides single access point for adjustments. Two double-acting, hydraulic cylinders (versus up to four on other brands) for less maintenance. Hinge blocks are shimmed to allow adjustment.
- **State-of-the-art instrumentation**
  - Controls mounted in single panel for easy monitoring, backlit for night viewing. Includes tachometer; blower temperature, hydraulic pressure, vacuum and air pressure gauges; and hourmeter. Each circuit clearly identified and individually grounded.
- **Standard operator safety features**
  - Includes body and rear door props, hydraulic check valves on all lift cylinders, back-up alarm and patented transfer case protection that prevents damage from shifting errors. Also provides 6 in, air-operated relief valve with pendant control and an in-line, manual safety-T.
- **Exclusive Tri-lobe vacuum pump**
  - Delivers the highest vacuum rating 28.5 in Hg (724 mm) and airflow 5,763 cfm (9,792 m³/h) in the industry.



**Multiple Offload Options**

The Guzzler ACE modular design allows you to choose the offloading solution that meets your specific needs, so you get minimal downtime and maximum productivity. Guzzler offers the widest selection of configurations of any manufacturer.

**Continuous**

**Cycrane with stand-alone cyclone**

Designed for maximum flexibility. Ideal for loading rail cars, dump trucks, elevated bins and silos. Heavy-duty crane with 1,400 lb (636 kg) capacity and 31 ft (9,449 mm) horizontal reach. Can be suspended over vessels up to 14 ft (4,267 mm) in height.



**AXCR**

Original, patented system with unique swing-out cyclone allows material discharge into collection vessels while vacuuming.

**Rear-mounted cyclone**

An economical solution for occasional, controlled offloading. May be attached or removed and used as an intermediate loading station.



**Tailgate-mounted sludge pump**

4 in (101.6 mm) removable, hydraulically driven pumphead is ideal for unloading sludges from the debris body and may be used during vacuuming. (Not shown)

**Batch**



**FX ACE**

High-dumping vacuum tank allows collected material to be dumped directly into any collection box up to 54 in (1,372 mm) tall. Ideal for use with roll-off boxes.

**Vertical Auger**

The ultimate in controlled offloading for any free-flowing, wet or dry product. The only one with an isolation valve between the tank and auger, for longer auger life and minimal cleanup.



**Dense Phase Offload System**

An advanced offloading and recovery tool combining applied pressure with high airflow, for true dense phase conveyance up to 125 ft (38.1 m) vertically. Ideal for cement or bulk powder applications. (Shown inside cover page)

**Vacuum/Pressure System**

Vane pump system is designed for quick unloading of heavy sludges from the collection tank. (Not shown)